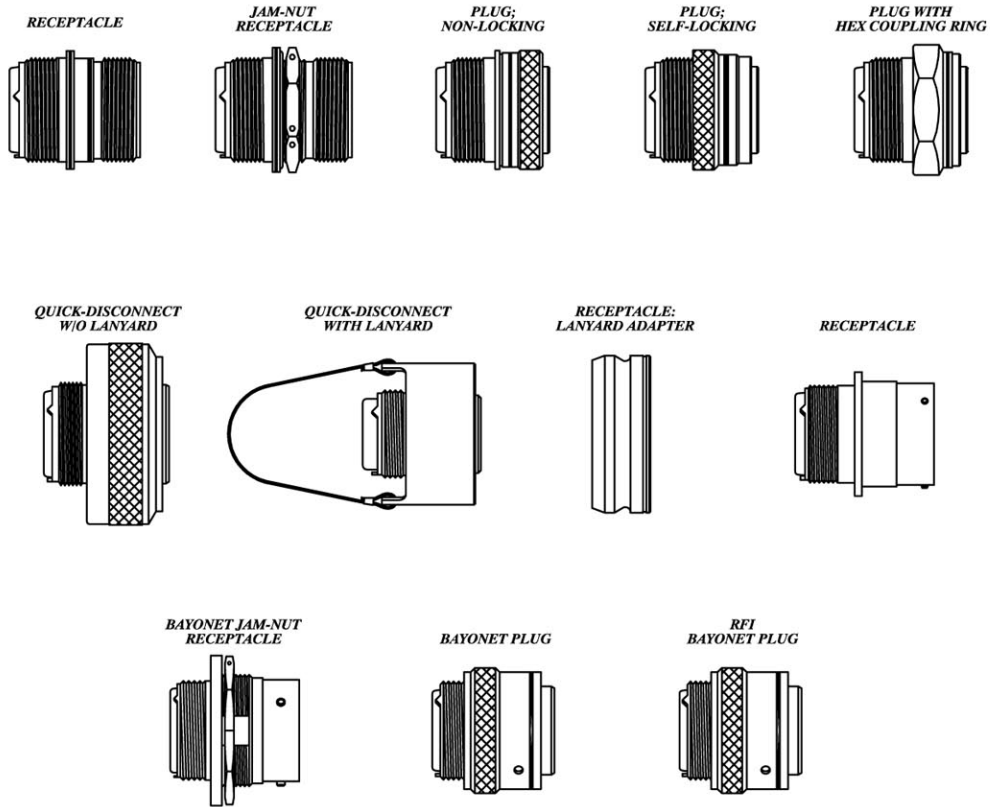
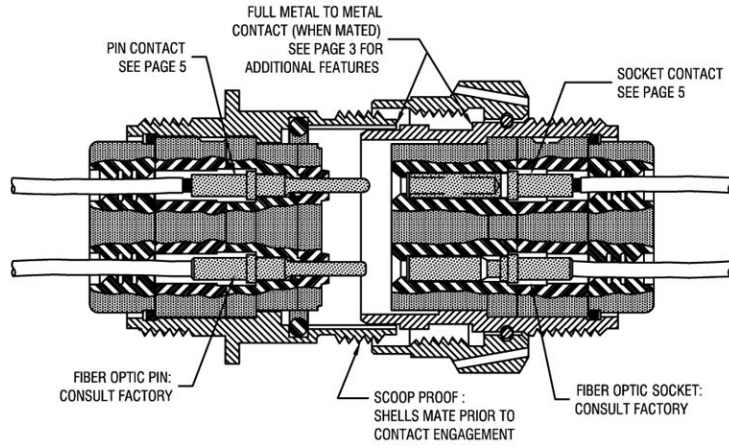




CROSS SECTION 83723 THREADED





CONNECTORS TO MIL-C-83723, SERIES 3 AND BAN 7025

TABLE OF CONTENTS

<i>FEATURES</i>	3
<i>TECHNICAL INFORMATION, GENERAL PERFORMANCE</i>	4
<i>CONTACTS, CONTACT TOOLS</i>	5
<i>ORDERING INFORMATION - LANYARD RELEASE</i>	6
<i>CONNECTORS - M83723/66-70 SERIES III LANYARD</i>	7-9
QUICK DISCONNECT WITHOUT LANYARD	7
QUICK DISCONNECT WITH LANYARD	8
RECEPTACLE LANYARD ADAPTER	9
<i>ORDERING INFORMATION - BAYONET COUPLING</i>	10-11
<i>CONNECTORS - M83723/71-78 SERIES III BAYONET COUPLING</i>	12-15
FLANGE MOUNT RECEPTACLE	12
BAYONET JAM NUT RECEPTACLE	13
BAYONET PLUG	14
BAYONET RFI PLUG	15
<i>ORDERING INFORMATION - THREADED COUPLING</i>	16-17
<i>CONNECTORS - M83723/82-98 SERIES III THREADED AND DC</i>	18-24
FLANGE MOUNT RECEPTACLE	18
JAM NUT RECEPTACLE	19
NON-LOCKING PLUG	20
NON-LOCKING HEX PLUG	21
NON-LOCKING RFI PLUG	22
SELF-LOCKING PLUG	23
SELF-LOCKING RFI PLUG	24
<i>REAR ACCESSORIES</i>	25-27
ORDERING INFORMATION	25
BAN 7025 REAR ACCESSORIES	26
J-TECH REAR ACCESSORIES	26-27
<i>CONTACT ARRANGEMENTS</i>	28-29
<i>POLARIZING POSITIONS</i>	30
<i>PANEL MOUNTING DIMENSIONS</i>	31



CIRCULAR CONNECTORS PER MIL-C-83723, SERIES 3 AND BOEING (MCD) BAN 7025

FEATURES:

- CONNECTORS ARE SCOOP PROOF: SHELLS MATE PRIOR TO CONTACT ENGAGEMENT, ELIMINATING BENT OR MISALIGNED CONTACTS.
- 5 KEY DESIGN FOR MULTIPLE POLARIZATIONS.
- POSITIVE SHELL BOTTOMING UPON CONNECTOR MATING ENSURES SHELL TO SHELL CONDUCTIVITY AND EMI PROTECTION.
- REAR RELEASE CONTACT DESIGN PROVIDES EXCELLENT CONTACT STABILITY, AND EASY FIELD REPAIRABILITY.
- SHORT CONNECTOR PROFILE.
- INSERT ARRANGEMENTS PER MIL-STD-1554 (SEE PAGES 28, 29).
- PRECISION MACHINED HARDWARE.
- O-RING ON RECEPTACLE, WIRE SEALING REAR GROMMET, AND CORK AND BOTTLE INTERFACE DESIGN PROVIDE EXCEPTIONAL ENVIRONMENTAL PROTECTION.
- CONNECTORS DESIGNED IN ACCORDANCE WITH MCDONNELL DOUGLAS BAN 7025 AND MIL-C-83723 SERIES 3 SPECIFICATIONS.
- COMMERCIAL CONNECTOR SERIES WITH THE SAME DESIGN AND CONSTRUCTION AS MIL-SPEC SERIES.
- REAR ACCESSORY HARDWARE DESIGNATOR INCLUDED WITH PART NUMBER. SEE PAGES 25-27 FOR AVAILABLE STANDARD DAC AND SPECIAL J-TECH REAR ACCESSORIES.
- AVAILABLE WITH PIN, SOCKET, FIBER OPTIC CONTACTS.
- STANDARD BAYONET COUPLING FOR QUICK RELEASE.



GENERAL PERFORMANCE

WHEN TESTED TO MIL-C-83723 REQUIREMENTS

OPERATING TEMPERATURE: -65°C TO 200°C (-85°F TO +392°F)

ENVIRONMENTAL: IN COMPLIANCE WITH ALTITUDE IMMERSION REQUIREMENTS OF MIL-C-83723

DURABILITY: MECHANICALLY AND ELECTRICALLY FUNCTIONAL AFTER 500 MATING CYCLES

SHOCK: CURRENT DISCONTINUITY <1 MICROSECOND, NO EVIDENCE OF DISENGAGEMENT, CRACKING, BREAKING, OR LOOSENING OF PARTS IS APPARENT WHEN TESTED IN ACCORDANCE WITH METHOD 2004, TEST CONDITION D OF MIL-STD-1344.

FLUID RESISTANCE: IN ACCORDANCE WITH FLUID IMMERSION REQUIREMENTS OF MIL-C-83723 FOR HYDRAULIC FLUID, JP-5, LUBRICATING OIL, DEFROSTING FLUID, SKYDROL, GASOLINE, MINERAL SPIRITS, AND ESTER BASED COOLANT.

VIBRATION: CURRENT DISCONTINUITY <1 MICROSECOND, NO EVIDENCE OF DISENGAGEMENT, CRACKING, BREAKING, OR LOOSENING OF PARTS IS APPARENT WHEN TESTED IN ACCORDANCE WITH METHOD 2005 OF MIL-STD-1344.

SHELL TO SHELL CONDUCTIVITY: MAXIMUM POTENTIAL VOLTAGE DROP AS FOLLOWS- 200 MILLIVOLTS FOR JT83723/75, /76, /86, /87, /95, AND /96, JT56 AND JT57 CLASSES -, J, W, S. 5 MILLIVOLTS FOR JT83723/77, /78, /91, /92, /97 AND /98, JT56 AND JT57 CLASSES R, G, E.

DIELECTRIC WITHSTANDING VOLTAGE: CONNECTORS SHOW NO EVIDENCE OF FLASHOVER OR BREAKDOWN WHEN SUBJECTED TO THE FOLLOWING VOLTAGES AND ALTITUDES.

ALTITUDE	SERVICE RATING 1	SERVICE RATING 2
SEA LEVEL	1,500	2,300
50,000 FT.	500	750
70,000 FT.	375	500
110,000 FT.	200	200

CONTACT CURRENT RATING

CONTACT SIZE	CURRENT RATING AMPERE MAX.	VOLTAGE DROP (MAX.) MILLIVOLTS
12	23	38
16	13	45
20	7.5	50

CONTACT RESISTANCE WITH SILVER PLATED WIRE @ 25°C

CONTACT RETENTION

CONTACT SIZE	CONTACT RETENTION AXIAL LOAD	
	LBS.	NEWTONS
12	33	133.4
16	25	111.2
20	20	88.9

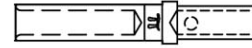


CONTACTS/ CONTACT ACCESSORIES

M39029/4
PIN CONTACT



M39029/5
SOCKET CONTACT



CONTACT SIZE	WIRE BARREL SIZE	WIRE AWG	MIL-C-39029 PART NUMBER	J-TECH PART NUMBER	BAN 7025 PART NUMBER
20	20	20,22,24	M39029/4-110	551-110-2020	DC38-20P
16	16	16,18,20	M39029/4-111	551-110-1616	DC38-16P
16	20	20,22,24	M39029/4-112	551-110-1620	DC38-16-20P
12	12	12,14	M39029/4-113	551-220-1212	DC38-12P
12	16	16,18,20	M39029/4-114	551-220-1216	-

CONTACT SIZE	WIRE BARREL SIZE	WIRE AWG	MIL-C-39029 PART NUMBER	J-TECH PART NUMBER	BAN 7025 PART NUMBER
20	20	20,22,24	M39029/5-115	552-110-2020	DC39-20S
16	16	16,18,20	M39029/5-116	552-110-1616	DC39-16S
16	20	20,22,24	M39029/5-117	552-110-1620	DC39-16-20S
12	12	12,14	M39029/5-118	552-220-1212	DC39-12S
12	16	16,18,20	M39029/5-119	552-220-1216	-

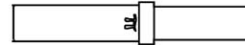
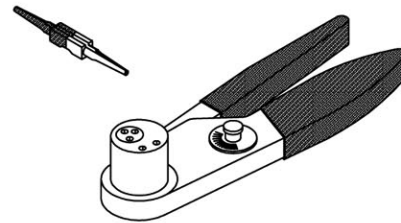


SEALING PLUGS

CONTACT SIZE	MILITARY PART NUMBER	J-TECH PART NUMBER
20	MS27488-20	022-001-0020
16	MS27488-16	022-001-0016
12	MS27488-12	022-001-0012

CONTACT SIZE	BASIC CRIMPING TOOL	POSITIONER	INSTALLING TOOL	INSTALLING TOOL	
				WIRED CONTACT	UNWIRED CONTACT
2020	M22520/1-01, M22520/2-01 or M22520/7-01	M22520/1-02 RED, M22520/2-02 or M22520/7-02	M81969/14-11	M89169/14-11	M89169/30-05
1616	M22520/1-01 or M22520/7-01	M22520/1-02 BLUE or M22520/7-03	M81969/14-03	M89169/14-03	M89169/30-06
1620	M22520/1-01 or M22520/7-01	M22520/1-02 BLUE M22520/7-03	M81969/14-11	M89169/14-11	M89169/30-05
1212	M22520/1-01	M22520/1-02 YELLOW	M81969/14-04	M89169/14-04	M89169/30-07
1216	M22520/1-01	M22520/1-02 YELLOW	M81969/14-03	M89169/14-03	M89169/30-06

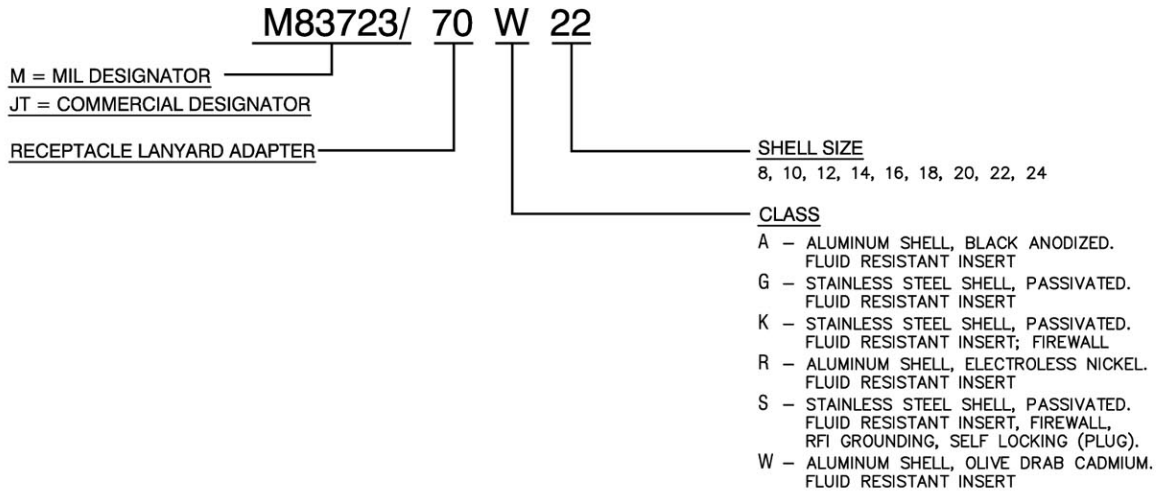
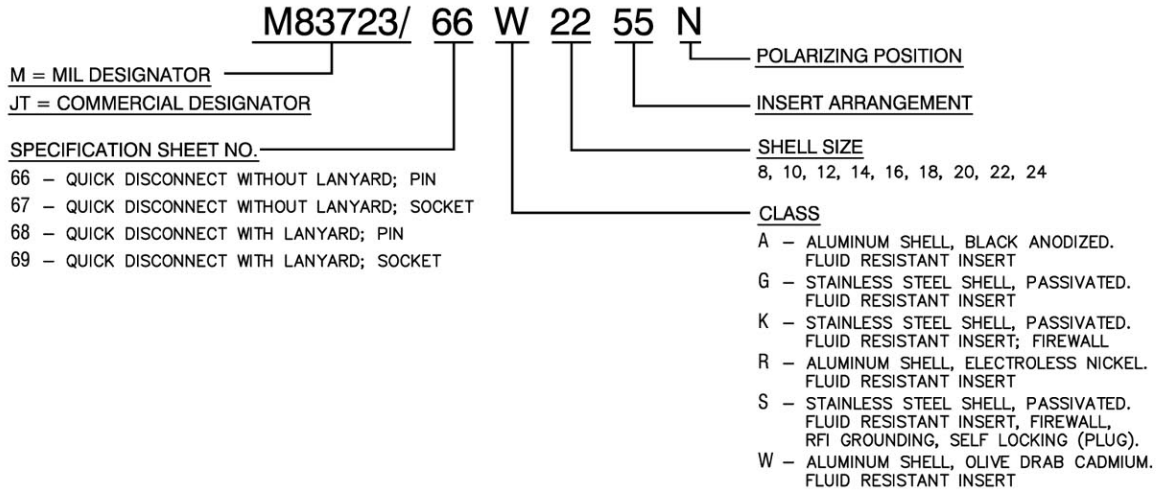
TOOLS



CONSULT FACTORY FOR AVAILABILITY OF FIBER OPTIC CONTACTS PER M29504/10 & /11



**HOW TO ORDER:
LANYARD RELEASE (NO BAN 7025 CALL OUTS)**



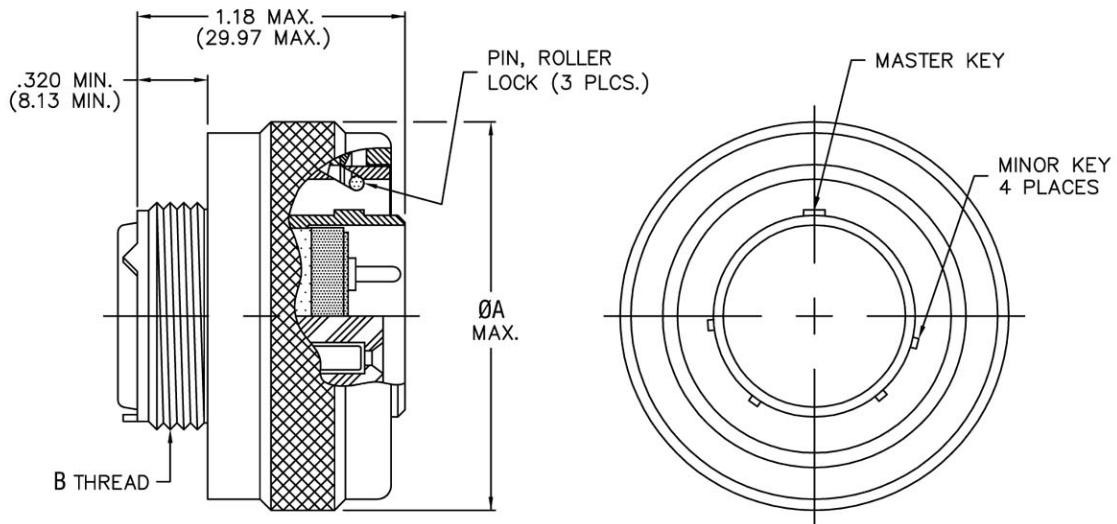


M83723/66

QUICK DISCONNECT WITHOUT LANYARD: PIN
 CLASSES A, G, R, W IAW MIL-C-83723
 SEE PAGE 6 FOR ORDERING INFORMATION

M83723/67

QUICK DISCONNECT WITHOUT LANYARD: SOCKET
 CLASSES A, G, R, W IAW MIL-C-83723
 SEE PAGE 6 FOR ORDERING INFORMATION



• DIMENSIONS ARE IN INCHES. (DIMENSIONS IN PARENTHESES ARE IN MILLIMETERS).

SHELL SIZE	ØA MAX.	B THREAD CLASS 2A
8	1.095 (27.81)	.500-20 UNF
10	1.240 (31.50)	.625-24 UNEF
12	1.432 (36.37)	.750-20 UNEF
14	1.490 (37.85)	.875-20 UNEF
16	1.711 (43.46)	1.000-20 UNEF
18	1.815 (46.10)	1.0625-18 UNEF
20	1.962 (49.83)	1.1875-18 UNEF
22	2.070 (52.58)	1.3125-18 UNEF
24	2.195 (55.75)	1.4375-18 UNEF

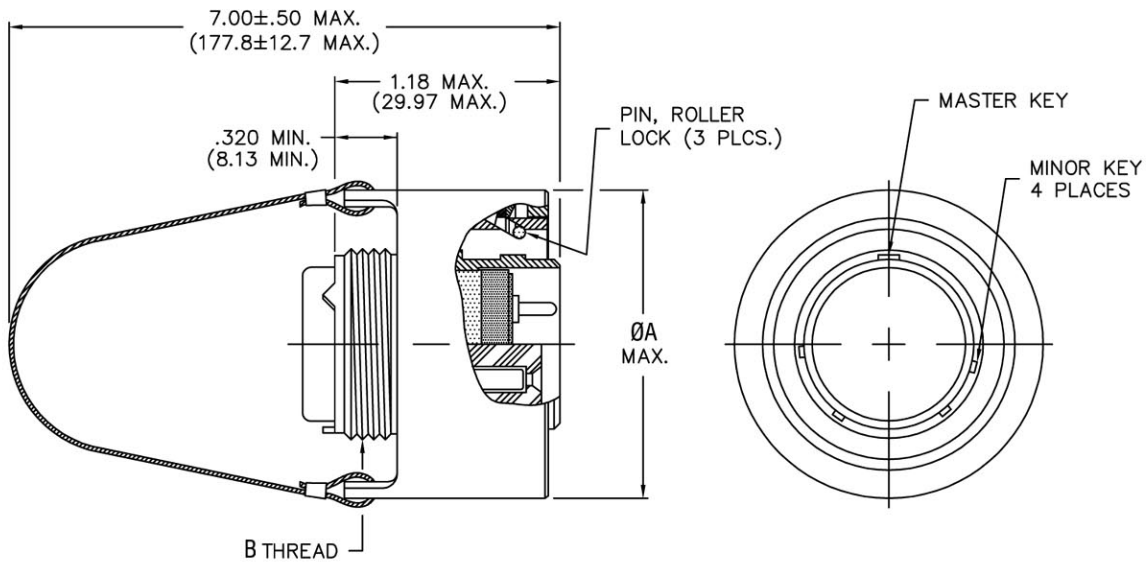


M83723/68

QUICK DISCONNECT WITH LANYARD: PIN
 CLASSES A, G, R, W IAW MIL-C-83723
 SEE PAGE 6 FOR ORDERING INFORMATION

M83723/69

QUICK DISCONNECT WITH LANYARD: SOCKET
 CLASSES A, G, R, W IAW MIL-C-83723
 SEE PAGE 6 FOR ORDERING INFORMATION



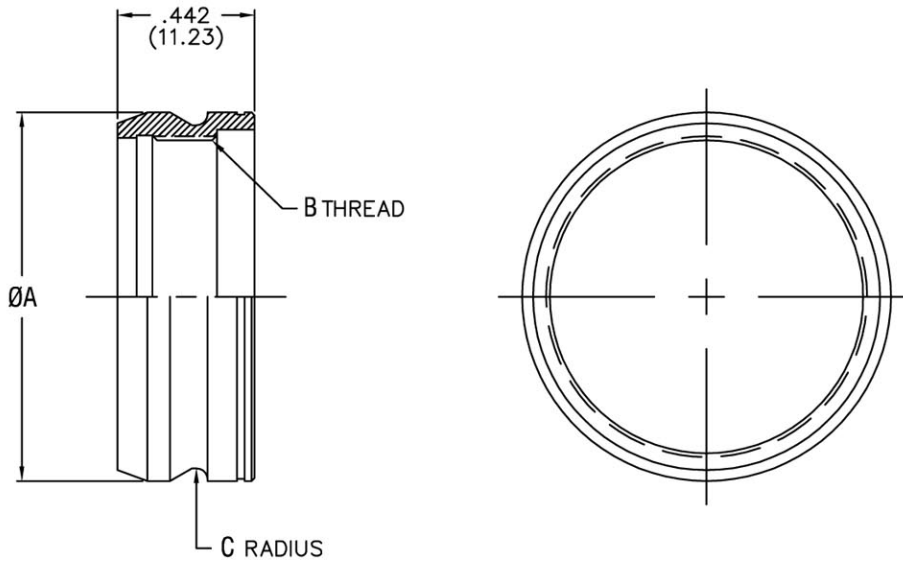
• DIMENSIONS ARE IN INCHES. (DIMENSIONS IN PARENTHESES ARE IN MILLIMETERS).

SHELL SIZE	ØA MAX.	B THREAD CLASS 2A
8	1.095 (27.81)	.500-20 UNF
10	1.240 (31.50)	.625-24 UNEF
12	1.432 (36.37)	.750-20 UNEF
14	1.490 (37.85)	.875-20 UNEF
16	1.711 (43.46)	1.000-20 UNEF
18	1.815 (46.10)	1.0625-18 UNEF
20	1.962 (49.83)	1.1875-18 UNEF
22	2.070 (52.58)	1.3125-18 UNEF
24	2.195 (55.75)	1.4375-18 UNEF



M83723/70

RECEPTACLE LANYARD ADAPTER
 CLASSES - A, G, R, W IAW MIL-C-83723
 SEE PAGE 6 FOR ORDERING INFORMATION

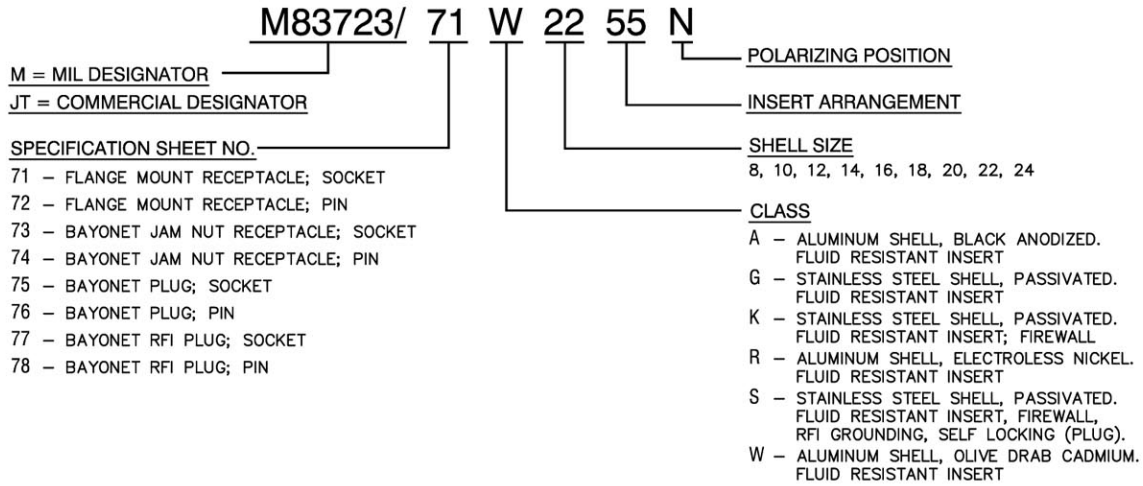


- DIMENSIONS ARE IN INCHES. (DIMENSIONS IN PARENTHESES ARE IN MILLIMETERS).
- THE ADAPTER IS INTENDED TO BE USED WITH SERIES III THREADED COUPLING RECEPTACLE MIL-C-83723/82, /83, /84, /85, /88, /89, /90.

SHELL SIZE	ØA MAX.	B THREAD CLASS 2B	C RADIUS
8	.689/.685 (17.50/17.40)	.5625-24 UNEF	.036/.031 (.91/.79)
10	.814/.810 (20.68/20.57)	.6875-24 UNEF	.036/.031 (.91/.79)
12	1.001/.997 (25.43/25.32)	.875-20 UNEF	.036/.031 (.91/.79)
14	1.064/1.060 (27.03/26.92)	.9375-20 UNEF	.036/.031 (.91/.79)
16	1.189/1.185 (30.20/30.10)	1.0625-18 UNEF	.036/.031 (.91/.79)
18	1.330/1.326 (33.78/32.68)	1.1875-18 UNEF	.044/.039 (1.12/.99)
20	1.455/1.451 (36.96/36.86)	1.3125-18 UNEF	.044/.039 (1.12/.99)
22	1.580/1.576 (40.13/40.03)	1.4375-18 UNEF	.044/.039 (1.12/.99)
24	1.705/1.701 (43.31/43.20)	1.5625-18 UNEF	.044/.039 (1.12/.99)



**HOW TO ORDER:
BAYONET COUPLING**





HOW TO ORDER: BAYONET COUPLING

DC50 E 22 - 19 S N 18 ***

CONNECTOR STYLE

- DC = BAN 7025 SPECIFICATION DESIGNATOR
- JT = COMMERCIAL DESIGNATOR
- DC50 – FLANGE MOUNT RECEPTACLE; SOCKET
- DC51 – FLANGE MOUNT RECEPTACLE; PIN
- DC52 – BAYONET PLUG; SOCKET (RFI)
- DC53 – BAYONET PLUG; PIN (RFI)

ACCESSORY

- - (DASH) NO ACCESSORY
- E – STANDARD GROMMET SEAL PER BAN 7025
- F – STANDARD GROMMET SEAL STRAIGHT STRAIN RELIEF CLAMP PER BAN 7025
- L – STANDARD 90° GROMMET SEAL STRAIN RELIEF CLAMP PER BAN 7025
- Y – STANDARD 45° GROMMET SEAL STRAIN RELIEF CLAMP PER BAN 7025
- FA – STRAIGHT SHIELD RETAINING STRAIN RELIEF
- FB – STRAIGHT SINGLE BAND BACKSHELL
- FC – STRAIGHT DOUBLE BAND BACKSHELL
- LA – 90° SHIELD RETAINING STRAIN RELIEF
- LB – 90° SINGLE BAND BACKSHELL
- LC – 90° DOUBLE BAND BACKSHELL
- YA – 45° SHIELD RETAINING STRAIN RELIEF
- YB – 45° SINGLE BAND BACKSHELL
- YC – 45° DOUBLE BAND BACKSHELL

SHELL SIZE

- 8, 10, 12, 14, 16, 18, 20, 22, 24

MODIFICATION CODE

CONSULT FACTORY (NO BAN MOD)

BACKSHELL ENTRY SIZE

LEAVE BLANK FOR - (DASH), E, F, L, OR Y ACCESSORY

POLARIZING POSITION

N, 6, 7, 8, 9, OR 10
(10 NOT AVAILABLE FOR SIZE 8)

CONTACT DESIGNATOR

- P – PIN CONTACTS
- S – SOCKET CONTACTS
- FP – FIBER OPTIC PIN
- FS – FIBER OPTIC SOCKET
- AL – ALUMEL
- CR – CHROMEL

ARRANGEMENT NO.

CLASS

- - (DASH) ALUMINUM SHELL, ELECTROLESS NICKEL; PLUG HAS NON-LOCKING COUPLING NUT
- J – ALUMINUM, ELECTROLESS NICKEL; PLUG HAS SELF-LOCKING COUPLING NUT
- W – ALUMINUM, OLIVE DRAB CADMIUM; PLUG HAS SELF LOCKING COUPLING NUT
- S – STAINLESS STEEL, PASSIVATED; PLUG HAS SELF-LOCKING COUPLING NUT
- R – ALUMINUM, ELECTROLESS NICKEL; SELF-LOCKING PLUG WITH RFI FINGERS
- G – ALUMINUM, OLIVE DRAB CADMIUM; SELF-LOCKING PLUG WITH RFI FINGERS
- E – STAINLESS STEEL, PASSIVATED; SELF-LOCKING PLUG WITH RFI FINGERS



M83723/71

FLANGE MOUNT RECEPTACLE: SOCKET
 CLASSES A, G, R, W IAW MIL-C-83723
 SEE PAGE 10 FOR ORDERING INFORMATION

M83723/72

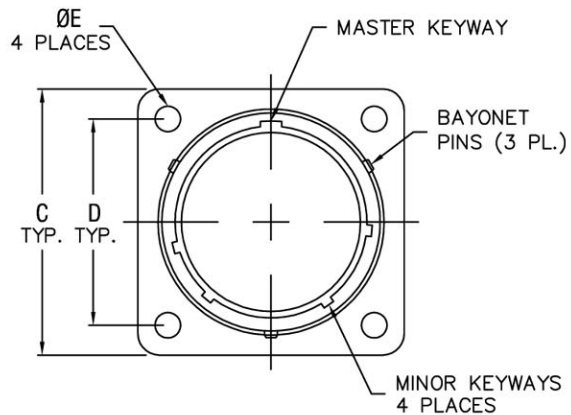
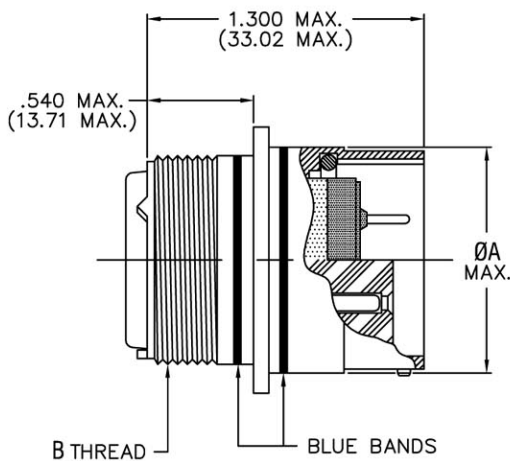
FLANGE MOUNT RECEPTACLE: PIN
 CLASSES A, G, R, W IAW MIL-C-83723
 SEE PAGE 10 FOR ORDERING INFORMATION

DC50

FLANGE MOUNT RECEPTACLE: SOCKET
 CLASSES - (DASH), W, S, R, G, E IAW BAN 7025
 SEE PAGE 11 FOR ORDERING INFORMATION

DC51

FLANGE MOUNT RECEPTACLE: PIN
 CLASSES - (DASH), W, S, R, G, E IAW BAN 7025
 SEE PAGE 11 FOR ORDERING INFORMATION



• DIMENSIONS ARE IN INCHES. (DIMENSIONS IN PARENTHESES ARE IN MILLIMETERS).

SHELL SIZE	ØA MAX.	B THREAD CLASS 2A	C	D	ØE
8	.561 (14.25)	.500-20 UNF	.812 (20.62)	.594 (15.09)	.120 (3.05)
10	.696 (17.68)	.625-24 UNEF	.937 (23.80)	.719 (18.26)	.120 (3.05)
12	.875 (22.23)	.750-20 UNEF	1.031 (26.19)	.812 (20.62)	.120 (3.05)
14	.935 (23.75)	.875-20 UNEF	1.125 (28.58)	.906 (23.01)	.120 (3.05)
16	1.062 (26.97)	1.000-20 UNEF	1.250 (31.75)	.969 (24.61)	.120 (3.05)
18	1.187 (30.15)	1.0625-18 UNEF	1.343 (34.11)	1.062 (26.97)	.120 (3.05)
20	1.312 (33.32)	1.1875-18 UNEF	1.437 (36.50)	1.156 (29.36)	.120 (3.05)
22	1.437 (36.50)	1.3125-18 UNEF	1.562 (39.67)	1.250 (31.75)	.120 (3.05)
24	1.562 (39.67)	1.4375-18 UNEF	1.703 (43.26)	1.375 (34.93)	.149 (3.78)



M83723/73

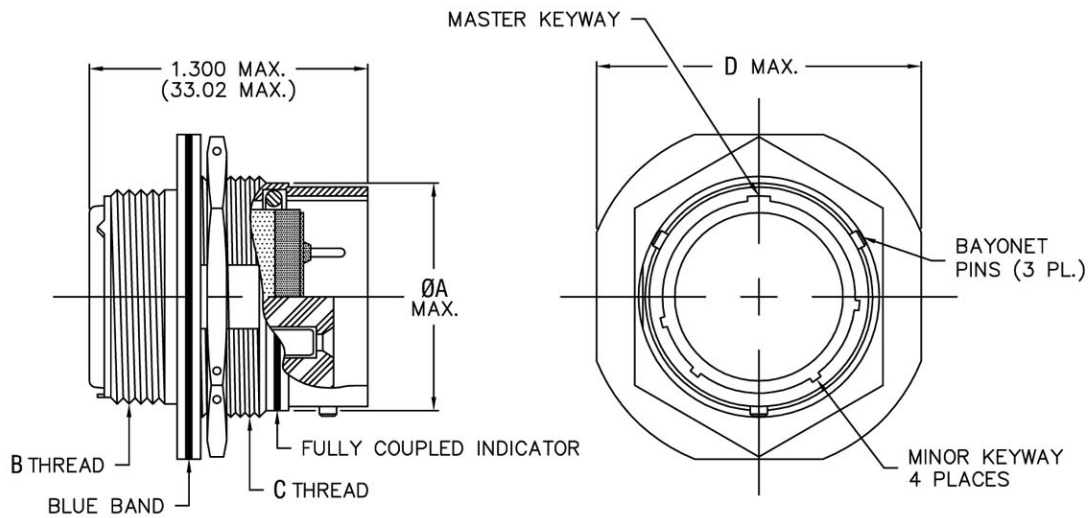
BAYONET JAM NUT RECEPTACLE: SOCKET
CLASSES A, G, R, W IAW MIL-C-83723

SEE PAGE 10 FOR ORDERING INFORMATION
(NO DC VERSIONS)

M83723/74

BAYONET JAM NUT RECEPTACLE: PIN
CLASSES A, G, R, W IAW MIL-C-83723

SEE PAGE 10 FOR ORDERING INFORMATION
(NO DC VERSIONS)



• DIMENSIONS ARE IN INCHES. (DIMENSIONS IN PARENTHESES ARE IN MILLIMETERS).

SHELL SIZE	ØA MAX.	B THREAD CLASS 2A	C THREAD CLASS 2A	D MAX.
8	.561 (14.25)	.500-20 UNF	.625-20 UN	.979 (24.87)
10	.696 (17.68)	.625-24 UNEF	.750-20 UNEF	1.104 (28.04)
12	.875 (22.23)	.750-20 UNEF	.9375-20 UNEF	1.291 (32.79)
14	.935 (23.75)	.875-20 UNEF	1.000-20 UNEF	1.391 (35.33)
16	1.062 (26.97)	1.000-20 UNEF	1.125-20 UN	1.516 (38.51)
18	1.187 (30.15)	1.0625-18 UNEF	1.250-18 UNEF	1.641 (41.68)
20	1.312 (33.32)	1.1875-18 UNEF	1.375-18 UNEF	1.766 (44.86)
22	1.437 (36.50)	1.3125-18 UNEF	1.500-18 UNEF	1.954 (49.63)
24	1.562 (39.67)	1.4375-18 UNEF	1.625-18 UNEF	2.079 (52.81)



M83723/75

BAYONET PLUG: SOCKET
 CLASSES A, G, K, R, W IAW MIL-C-83723
 SEE PAGE 10 FOR ORDERING INFORMATION

DC52

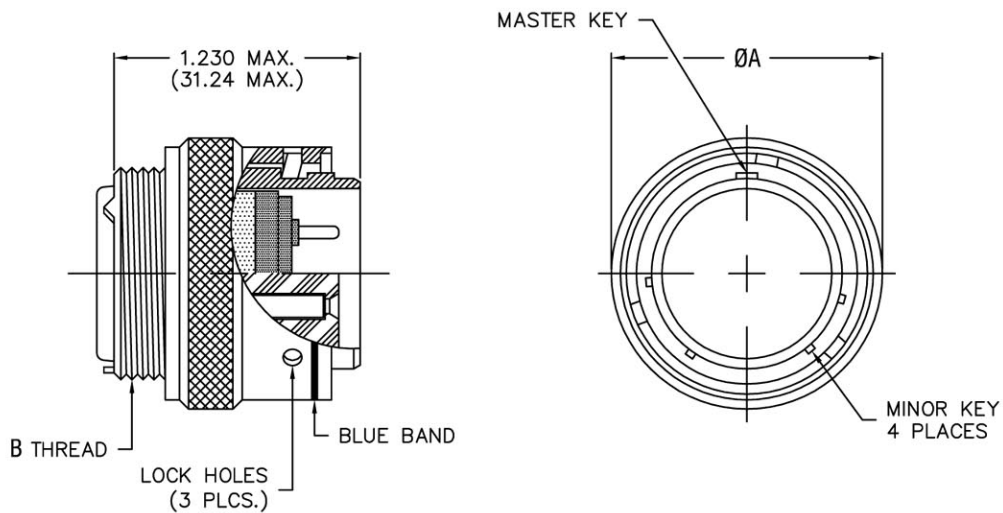
BAYONET PLUG: SOCKET
 CLASSES - (DASH), W, S, G IAW BAN 7025
 SEE PAGE 11 FOR ORDERING INFORMATION

M83723/76

BAYONET PLUG: PIN
 CLASSES A, G, K, R, W IAW MIL-C-83723
 SEE PAGE 10 FOR ORDERING INFORMATION

DC53

BAYONET PLUG: PIN
 CLASSES - (DASH), W, S, G IAW BAN 7025
 SEE PAGE 11 FOR ORDERING INFORMATION



• DIMENSIONS ARE IN INCHES. (DIMENSIONS IN PARENTHESES ARE IN MILLIMETERS).

SHELL SIZE	ØA MAX.	B THREAD CLASS 2A
8	.776 (19.71)	.500-20 UNF
10	.906 (23.01)	.625-24 UNEF
12	1.078 (27.38)	.750-20 UNEF
14	1.141 (28.98)	.875-20 UNEF
16	1.266 (32.16)	1.000-20 UNEF
18	1.375 (34.93)	1.0625-18 UNEF
20	1.510 (38.35)	1.1875-18 UNEF
22	1.625 (41.28)	1.3125-18 UNEF
24	1.760 (44.70)	1.4375-18 UNEF



M83723/77

BAYONET RFI PLUG: SOCKET
 CLASSES G, R, W IAW MIL-C-83723
 SEE PAGE 10 FOR ORDERING INFORMATION

DC52

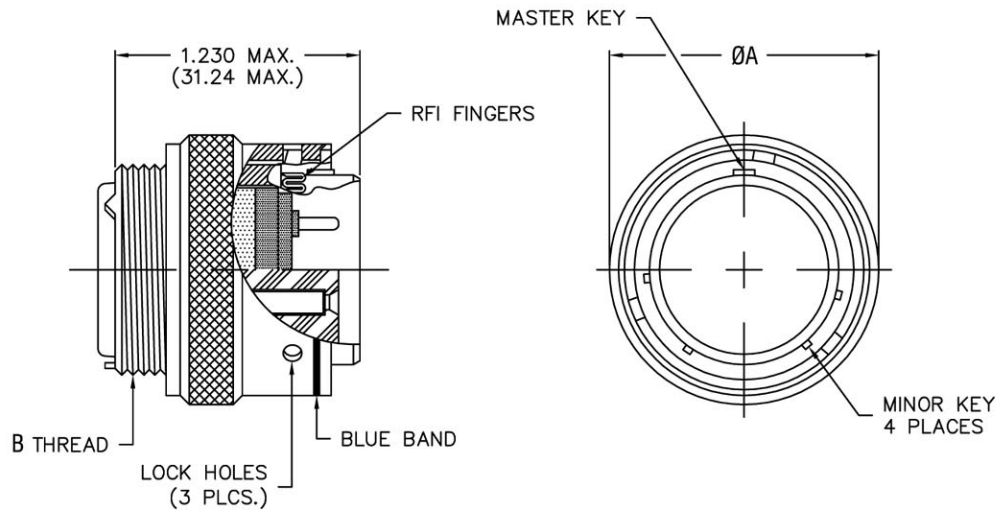
BAYONET RFI PLUG: SOCKET
 CLASSES R, G, E IAW BAN 7025
 SEE PAGE 11 FOR ORDERING INFORMATION

M83723/78

BAYONET RFI PLUG: PIN
 CLASSES G, R, W IAW MIL-C-83723
 SEE PAGE 10 FOR ORDERING INFORMATION

DC53

BAYONET RFI PLUG: PIN
 CLASSES R, G, E IAW BAN 7025
 SEE PAGE 11 FOR ORDERING INFORMATION



• DIMENSIONS ARE IN INCHES. (DIMENSIONS IN PARENTHESES ARE IN MILLIMETERS).

SHELL SIZE	ØA MAX.	B THREAD CLASS 2A
8	.776 (19.71)	.500-20 UNF
10	.906 (23.01)	.625-24 UNEF
12	1.078 (27.38)	.750-20 UNEF
14	1.141 (28.98)	.875-20 UNEF
16	1.266 (32.16)	1.000-20 UNEF
18	1.375 (34.93)	1.0625-18 UNEF
20	1.510 (38.35)	1.1875-18 UNEF
22	1.625 (41.28)	1.3125-18 UNEF
24	1.760 (44.70)	1.4375-18 UNEF



HOW TO ORDER: THREADED COUPLING

M83723/ 82 W 22 55 N

M = MIL DESIGNATOR

JT = COMMERCIAL DESIGNATOR

SPECIFICATION SHEET NO.

82 - FLANGE MOUNT RECEPTACLE; SOCKET

83 - FLANGE MOUNT RECEPTACLE; PIN

84 - JAM NUT RECEPTACLE; SOCKET

85 - JAM NUT RECEPTACLE; PIN

86 - PLUG; SOCKET

87 - PLUG; PIN

91 - RFI PLUG; SOCKET

92 - RFI PLUG; PIN

95 - SELF LOCKING PLUG; SOCKET

96 - SELF LOCKING PLUG; PIN

97 - SELF LOCKING RFI PLUG; SOCKET

98 - SELF LOCKING RFI PLUG; PIN

POLARIZING POSITION

INSERT ARRANGEMENT

SHELL SIZE

8, 10, 12, 14, 16, 18, 20, 22, 24

CLASS

A - ALUMINUM SHELL, BLACK ANODIZED.
FLUID RESISTANT INSERT

G - STAINLESS STEEL SHELL, PASSIVATED.
FLUID RESISTANT INSERT

K - STAINLESS STEEL SHELL, PASSIVATED.
FLUID RESISTANT INSERT; FIREWALL

N - PLUGS: ELECTRODEPOSITED NICKEL FINISH,
FLUID RESISTANT INSERT, FIREWALL, RFI
GROUNDING SELF-LOCKING.

RECEPTACLES: ELECTRODEPOSITED NICKEL FINISH
HERMETIC, FLUID RESISTANT INSERT, FIREWALL.

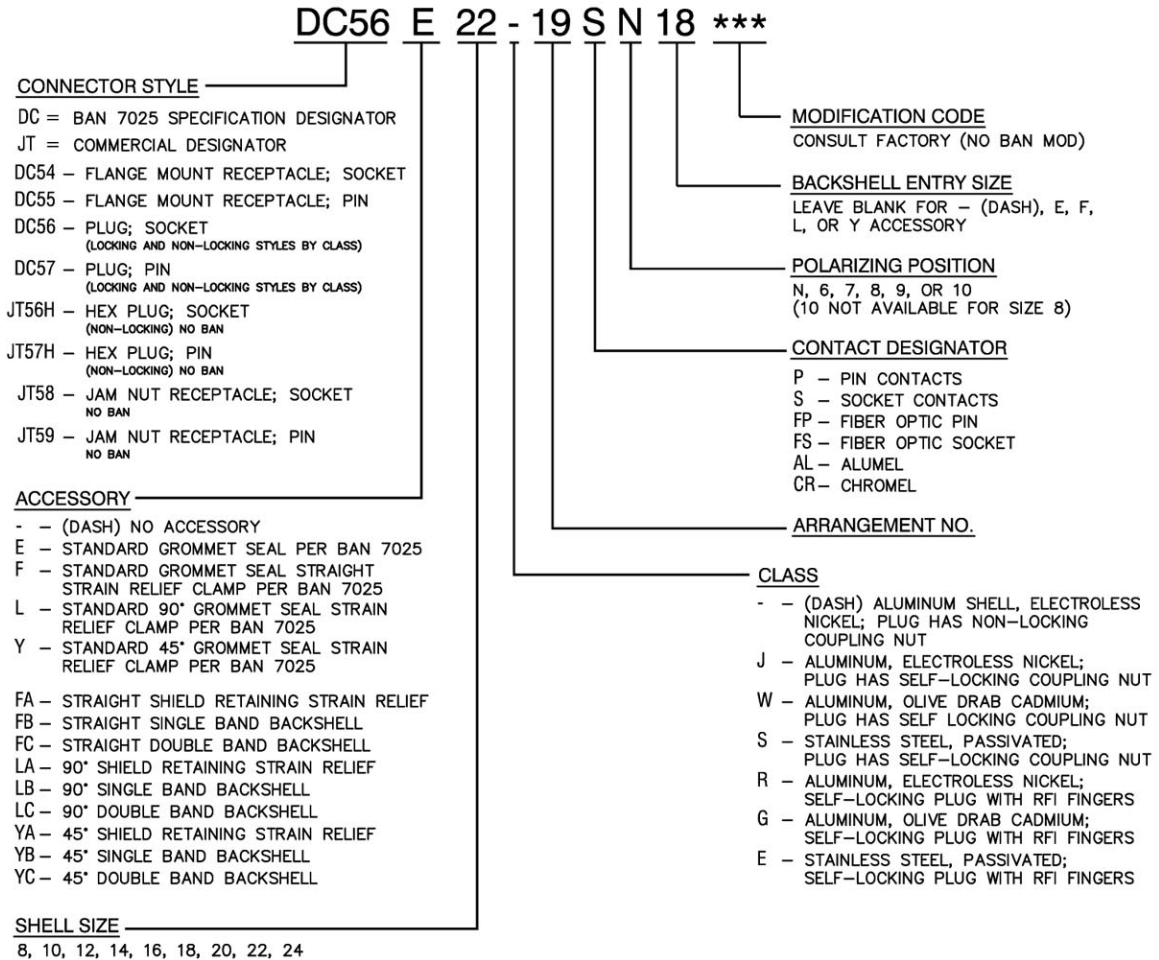
R - ALUMINUM SHELL, ELECTROLESS NICKEL.
FLUID RESISTANT INSERT

S - STAINLESS STEEL SHELL, PASSIVATED.
FLUID RESISTANT INSERT, FIREWALL,
RFI GROUNDING, SELF LOCKING (PLUG).

W - ALUMINUM SHELL, OLIVE DRAB CADMIUM.
FLUID RESISTANT INSERT



HOW TO ORDER:





M83723/82

FLANGE MOUNT RECEPTACLE: SOCKET
 CLASSES A, G, K, N, R, S, W IAW MIL-C-83723
 SEE PAGE 16 FOR ORDERING INFORMATION

M83723/83

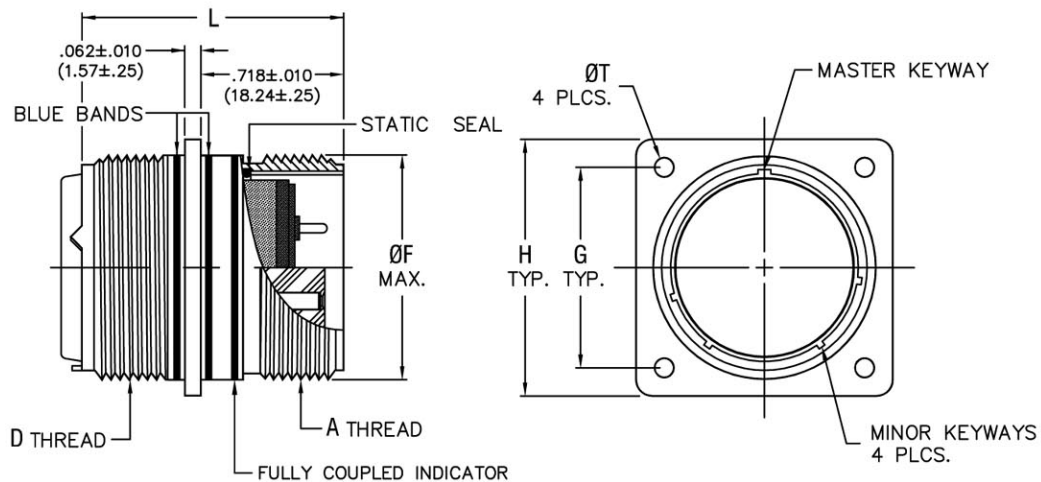
FLANGE MOUNT RECEPTACLE: PIN
 CLASSES A, G, K, N, R, W, S IAW MIL-C-83723
 SEE PAGE 16 FOR ORDERING INFORMATION

DC54

FLANGE MOUNT RECEPTACLE: SOCKET
 CLASSES - (DASH), J, S, W IAW BAN 7025
 SEE PAGE 17 FOR ORDERING INFORMATION

DC55

FLANGE MOUNT RECEPTACLE: PIN
 CLASSES - (DASH), J, S, W IAW BAN 7025
 SEE PAGE 17 FOR ORDERING INFORMATION



- DIMENSIONS ARE IN INCHES. DIMENSIONS IN PARENTHESIS ARE IN MILLIMETERS.
- JT83723 CLASS "S" FIREWALL CONNECTOR HAS 360° CIRCUMFERENTIAL REAR ACCESSORY TEETH. ALL OTHER FLANGE MOUNT RECEPTACLES ARE TO HAVE 3 REAR ACCESSORY TEETH AS SHOWN.

SHELL SIZE	A THREAD CLASS 2A	D THREAD CLASS 2A	ØF MAX.	G TYP.	H TYP.	ØT +.005 - .004	L MAX.	
							ALL OTHERS	83723/82 /83 CLASS S
8	.562-24 UNEF	.500-20 UNEF	.562 (14.27)	.594 (15.09)	.812 (20.62)	.120 (3.05)	1.248 (31.70)	1.340 (34.04)
10	.688-24 UNEF	.625-24 UNEF	.696 (17.68)	.719 (18.26)	.937 (23.80)	.120 (3.05)	1.248 (31.70)	1.340 (34.04)
12	.875-20 UNEF	.750-20 UNEF	.875 (22.23)	.812 (20.62)	1.031 (26.19)	.120 (3.05)	1.248 (31.70)	1.340 (34.04)
14	.938-20 UNEF	.875-20 UNEF	.936 (23.77)	.906 (23.01)	1.125 (28.58)	.120 (3.05)	1.248 (31.70)	1.340 (34.04)
16	1.062-18 UNEF	1.000-20 UNEF	1.062 (26.97)	.969 (24.61)	1.250 (31.75)	.120 (3.05)	1.248 (31.70)	1.340 (34.04)
18	1.188-18 UNEF	1.062-18 UNEF	1.187 (30.15)	1.062 (26.97)	1.343 (34.11)	.120 (3.05)	1.248 (31.70)	1.340 (34.04)
20	1.312-18 UNEF	1.188-18 UNEF	1.312 (33.32)	1.156 (29.36)	1.437 (36.50)	.120 (3.05)	1.248 (31.70)	1.340 (34.04)
22	1.438-18 UNEF	1.312-18 UNEF	1.437 (36.50)	1.250 (31.75)	1.562 (39.67)	.120 (3.05)	1.248 (31.70)	1.340 (34.04)
24	1.562-18 UNEF	1.438-18 UNEF	1.562 (39.67)	1.375 (34.93)	1.703 (43.26)	.149 (3.78)	1.248 (31.70)	1.340 (34.04)



M83723/84

JAM NUT RECEPTACLE: SOCKET
 CLASSES A, G, K, N, R, S, W IAW MIL-C-83723
 SEE PAGE 16 FOR ORDERING INFORMATION

M83723/85

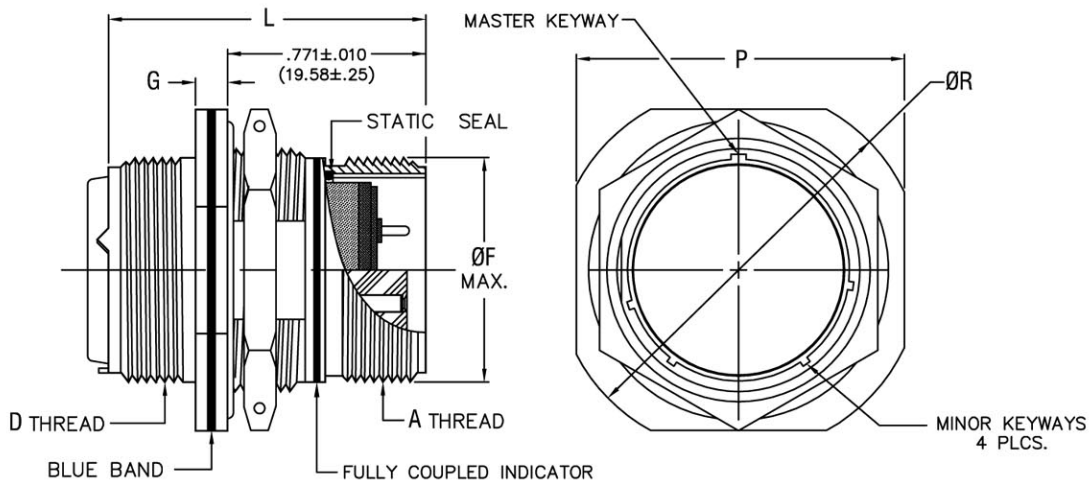
JAM NUT RECEPTACLE: PIN
 CLASSES A, G, K, N, R, S, W IAW MIL-C-83723
 SEE PAGE 16 FOR ORDERING INFORMATION

JT58

JAM NUT RECEPTACLE: SOCKET
 CLASSES - (DASH), J, S, W
 SEE PAGE 17 FOR ORDERING INFORMATION

JT59

JAM NUT RECEPTACLE: PIN
 CLASSES - (DASH), J, S, W
 SEE PAGE 17 FOR ORDERING INFORMATION



- DIMENSIONS ARE IN INCHES. (DIMENSIONS IN PARENTHESIS ARE IN MILLIMETERS).
- M83723 CLASS "N & S" CONNECTORS HAVE 360° CIRCUMFERENTIAL REAR ACCESSORY TEETH. ALL OTHER JAM-NUT RECEPTACLES ARE TO HAVE 3 REAR ACCESSORY TEETH AS SHOWN.

SHELL SIZE	A THREAD CLASS 2A	D THREAD CLASS 2A	ØF MAX.	G MAX.	P MAX.	R MAX.	L MAX.	
							ALL OTHERS	83723 CLASS S
8	.562-24 UNEF	.500-20 UNEF	.562 (14.27)	.137 (3.48)	.980 (24.89)	1.078 (27.38)	1.240 (31.50)	1.340 (34.04)
10	.688-24 UNEF	.625-24 UNEF	.696 (17.68)	.137 (3.48)	1.104 (28.04)	1.192 (30.28)	1.240 (31.50)	1.340 (34.04)
12	.875-20 UNEF	.750-20 UNEF	.875 (22.23)	.137 (3.48)	1.291 (32.79)	1.380 (35.05)	1.240 (31.50)	1.340 (34.04)
14	.938-20 UNEF	.875-20 UNEF	.936 (23.77)	.137 (3.48)	1.391 (35.33)	1.561 (39.65)	1.240 (31.50)	1.340 (34.04)
16	1.062-18 UNEF	1.000-20 UNEF	1.062 (26.97)	.137 (3.48)	1.516 (38.51)	1.641 (41.68)	1.240 (31.50)	1.340 (34.04)
18	1.188-18 UNEF	1.062-18 UNEF	1.187 (30.15)	.137 (3.48)	1.641 (41.68)	1.766 (44.86)	1.240 (31.50)	1.340 (34.04)
20	1.312-18 UNEF	1.188-18 UNEF	1.312 (33.32)	.137 (3.48)	1.766 (44.86)	1.954 (49.63)	1.240 (31.50)	1.340 (34.04)
22	1.438-18 UNEF	1.312-18 UNEF	1.437 (36.50)	.148 (3.76)	1.954 (49.63)	2.078 (52.78)	1.240 (31.50)	1.340 (34.04)
24	1.562-18 UNEF	1.438-18 UNEF	1.562 (39.67)	.168 (4.27)	2.079 (52.81)	2.182 (55.42)	1.240 (31.50)	1.340 (34.04)



M83723/86

NON-LOCKING PLUG: SOCKET
 CLASSES A, G, K, R, W IAW MIL-C-83723
 SEE PAGE 16 FOR ORDERING INFORMATION

M83723/87

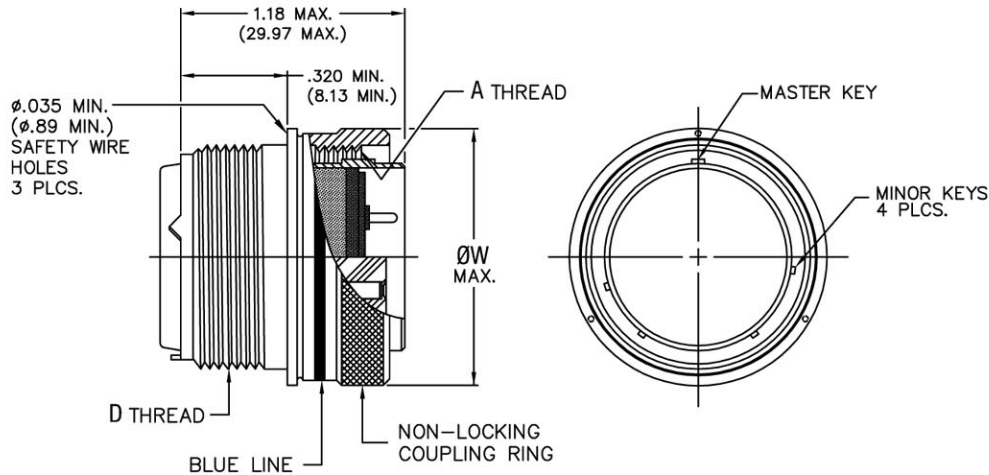
NON-LOCKING PLUG: PIN
 CLASSES A, G, K, R, W IAW MIL-C-83723
 SEE PAGE 16 FOR ORDERING INFORMATION

DC56

NON-LOCKING PLUG: SOCKET
 CLASS - (DASH), J, W, S IAW BAN 7025
 SEE PAGE 17 FOR ORDERING INFORMATION

DC57

NON-LOCKING PLUG: PIN
 CLASS - (DASH), J, W, S IAW BAN 7025
 SEE PAGE 17 FOR ORDERING INFORMATION



• DIMENSIONS ARE IN INCHES. (DIMENSIONS IN PARENTHESIS ARE IN MILLIMETERS).

SHELL SIZE	A THREAD CLASS 2B	D THREAD CLASS 2A	ØW MAX.
8	.562-24 UNEF	.500-20 UNF	.776 (19.71)
10	.688-24 UNEF	.625-24 UNEF	.908 (23.06)
12	.875-20 UNEF	.750-20 UNEF	1.080 (27.43)
14	.938-20 UNEF	.875-20 UNEF	1.143 (29.03)
16	1.062-18 UNEF	1.000-20 UNEF	1.268 (32.21)
18	1.188-18 UNEF	1.0625-18 UNEF	1.377 (34.98)
20	1.312-18 UNEF	1.188-18 UNEF	1.512 (38.40)
22	1.438-18 UNEF	1.312-18 UNEF	1.627 (41.33)
24	1.562-18 UNEF	1.438-18 UNEF	1.762 (44.75)

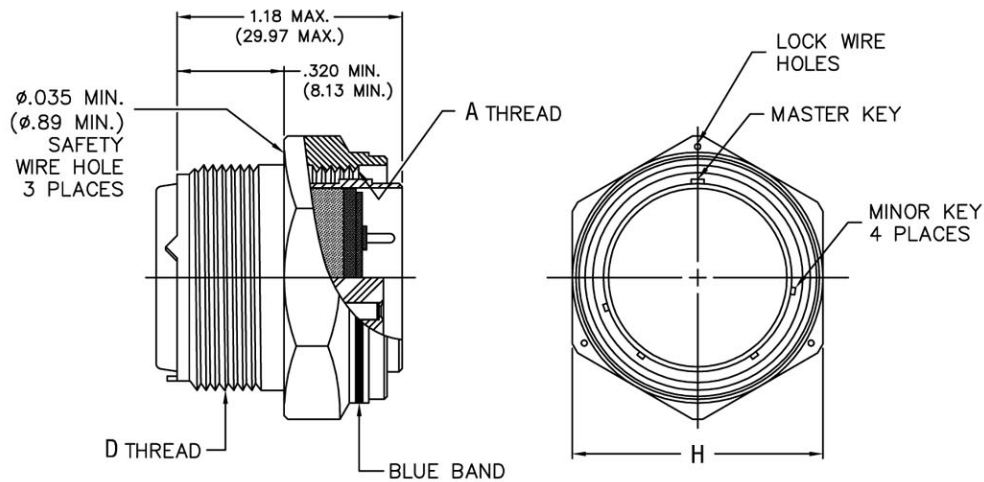


JT56H

NON-LOCKING HEX PLUG: SOCKET
 CLASS - (DASH) IAW BAN 7025
 SEE PAGE 17 FOR ORDERING INFORMATION

JT57H

NON-LOCKING HEX PLUG: PIN
 CLASS - (DASH) IAW BAN 7025
 SEE PAGE 17 FOR ORDERING INFORMATION



• DIMENSIONS ARE IN INCHES. (DIMENSIONS IN PARENTHESIS ARE IN MILLIMETERS).

SHELL SIZE	A THREAD CLASS 2B	D THREAD CLASS 2A	H HEX FLAT
8	.562-24 UNEF	.500-20 UNF	.688 (17.48)
10	.688-24 UNEF	.625-24 UNEF	.812 (20.62)
12	.875-20 UNEF	.750-20 UNEF	1.000 (25.40)
14	.938-20 UNEF	.875-20 UNEF	1.062 (26.97)
16	1.062-18 UNEF	1.000-20 UNEF	1.188 (30.18)
18	1.188-18 UNEF	1.0625-18 UNEF	1.312 (33.32)
20	1.312-18 UNEF	1.188-18 UNEF	1.437 (36.50)
22	1.438-18 UNEF	1.312-18 UNEF	1.562 (39.67)
24	1.562-18 UNEF	1.438-18 UNEF	1.687 (42.85)

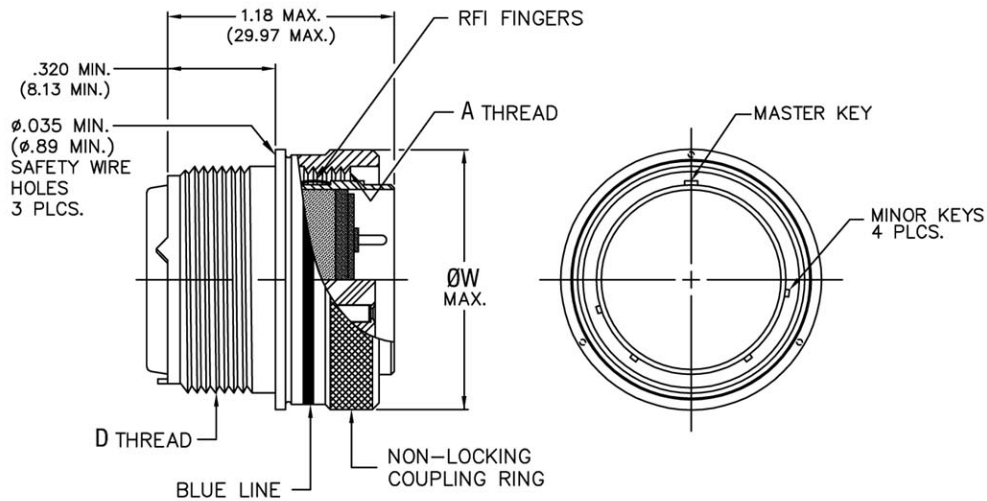


M83723/91

NON-LOCKING RFI GROUNDING PLUG: SOCKET
 CLASSES G, R, W IAW MIL-C-83723
 SEE PAGE 16 FOR ORDERING INFORMATION

M83723/92

NON-LOCKING RFI GROUNDING PLUG: PIN
 CLASSES G, R, W IAW MIL-C-83723
 SEE PAGE 16 FOR ORDERING INFORMATION



• DIMENSIONS ARE IN INCHES. (DIMENSIONS IN PARENTHESIS ARE IN MILLIMETERS).

SHELL SIZE	A THREAD CLASS 2B	D THREAD CLASS 2A	ØW MAX.
8	.562-24 UNEF	.500-20 UNF	.776 (19.71)
10	.688-24 UNEF	.625-24 UNEF	.908 (23.06)
12	.875-20 UNEF	.750-20 UNEF	1.078 (27.38)
14	.938-20 UNEF	.875-20 UNEF	1.141 (28.98)
16	1.062-18 UNEF	1.000-20 UNEF	1.266 (32.16)
18	1.188-18 UNEF	1.0625-18 UNEF	1.375 (34.93)
20	1.312-18 UNEF	1.188-18 UNEF	1.510 (38.35)
22	1.438-18 UNEF	1.312-18 UNEF	1.625 (41.28)
24	1.562-18 UNEF	1.438-18 UNEF	1.760 (44.70)



M83723/95

SELF-LOCKING PLUG: SOCKET
 CLASSES A, G, K, R, W IAW MIL-C-83723
 SEE PAGE 16 FOR ORDERING INFORMATION

M83723/96

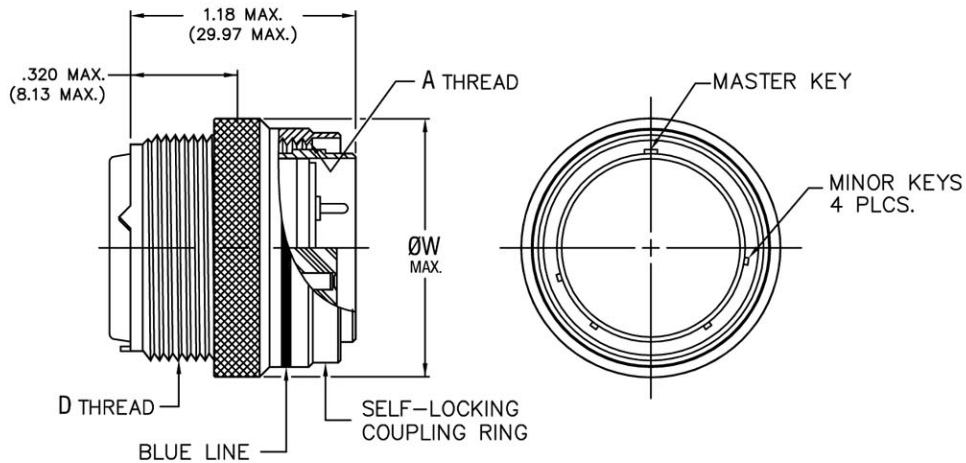
SELF-LOCKING PLUG: PIN
 CLASSES A, G, K, R, W IAW MIL-C-83723
 SEE PAGE 16 FOR ORDERING INFORMATION

DC56

SELF-LOCKING PLUG: SOCKET
 CLASSES J, S, W IAW BAN 7025
 SEE PAGE 17 FOR ORDERING INFORMATION

DC57

SELF-LOCKING PLUG: PIN
 CLASSES J, S, W IAW BAN 7025
 SEE PAGE 17 FOR ORDERING INFORMATION



• DIMENSIONS ARE IN INCHES. (DIMENSIONS IN PARENTHESIS ARE IN MILLIMETERS).

SHELL SIZE	A THREAD CLASS 2B	D THREAD CLASS 2A	ØW MAX.
8	.562-24 UNEF	.500-20 UNF	.832 (21.13)
10	.688-24 UNEF	.625-24 UNEF	.959 (24.36)
12	.875-20 UNEF	.750-20 UNEF	1.097 (27.86)
14	.938-20 UNEF	.875-20 UNEF	1.236 (31.39)
16	1.062-18 UNEF	1.000-20 UNEF	1.360 (34.54)
18	1.188-18 UNEF	1.0625-18 UNEF	1.473 (37.41)
20	1.312-18 UNEF	1.188-18 UNEF	1.586 (40.28)
22	1.438-18 UNEF	1.312-18 UNEF	1.703 (43.26)
24	1.562-18 UNEF	1.438-18 UNEF	1.846 (46.89)



M83723/97

SELF-LOCKING RFI GROUNDING PLUG: SOCKET
 CLASSES N, S IAW MIL-C-83723
 SEE PAGE 16 FOR ORDERING INFORMATION

M83723/98

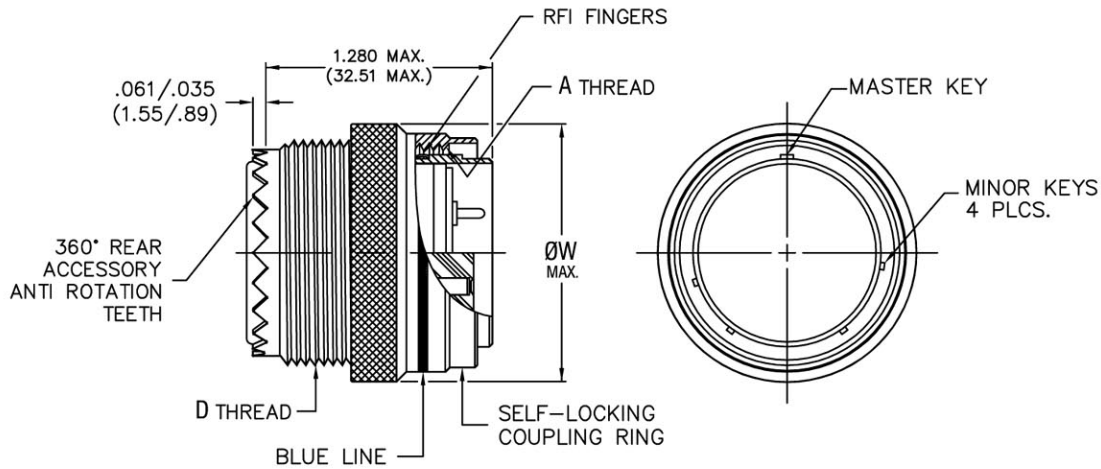
SELF-LOCKING RFI GROUNDING PLUG: PIN
 CLASSES N, S IAW MIL-C-83723
 SEE PAGE 16 FOR ORDERING INFORMATION

DC56

SELF-LOCKING RFI GROUNDING PLUG: SOCKET
 CLASSES R, G, E IAW BAN 7025
 SEE PAGE 17 FOR ORDERING INFORMATION

DC57

SELF-LOCKING RFI GROUNDING PLUG: PIN
 CLASSES R, G, E IAW BAN 7025
 SEE PAGE 17 FOR ORDERING INFORMATION



• DIMENSIONS ARE IN INCHES. (DIMENSIONS IN PARENTHESIS ARE IN MILLIMETERS).

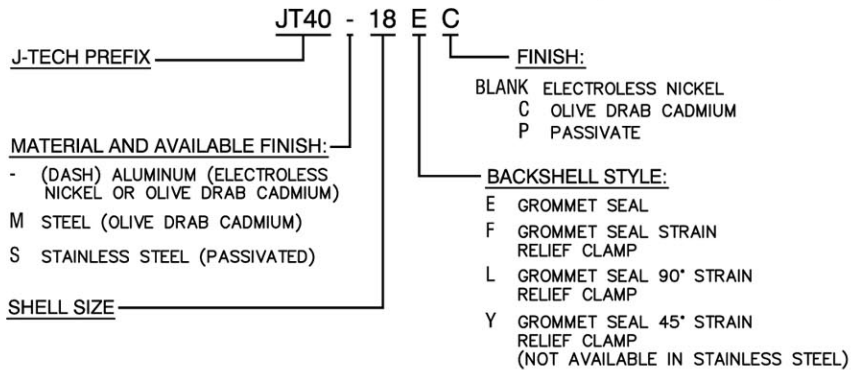
SHELL SIZE	A THREAD CLASS 2B	D THREAD CLASS 2A	ØW MAX.
8	.562-24 UNEF	.500-20 UNF	.967 (24.56)
10	.688-24 UNEF	.625-24 UNEF	1.093 (27.76)
12	.875-20 UNEF	.750-20 UNEF	1.170 (29.72)
14	.938-20 UNEF	.875-20 UNEF	1.310 (33.27)
16	1.062-18 UNEF	1.000-20 UNEF	1.500 (38.10)
18	1.188-18 UNEF	1.0625-18 UNEF	1.562 (39.67)
20	1.312-18 UNEF	1.188-18 UNEF	1.710 (43.43)
22	1.438-18 UNEF	1.312-18 UNEF	1.812 (46.02)
24	1.562-18 UNEF	1.438-18 UNEF	1.948 (49.48)



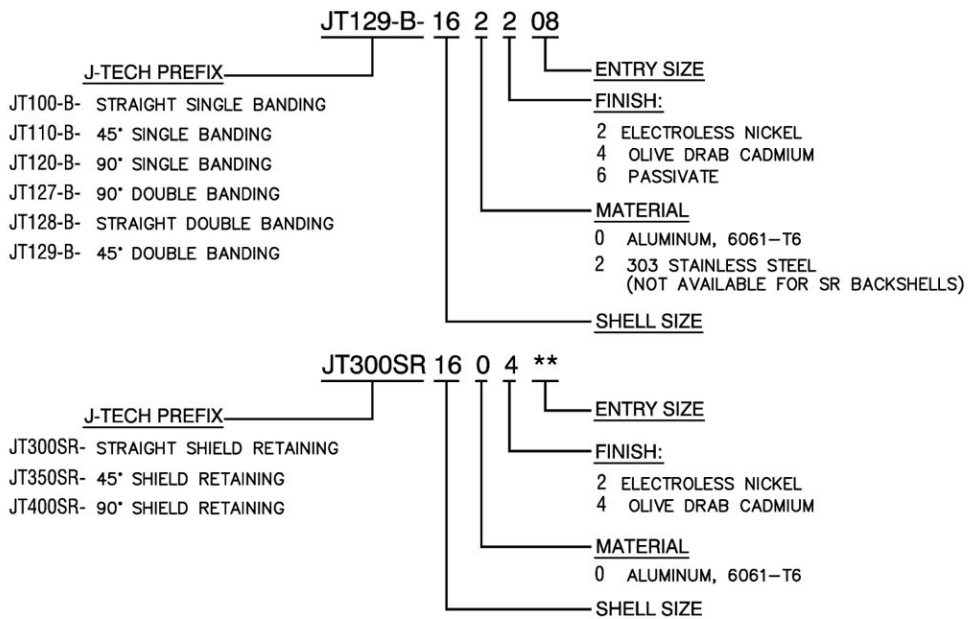
JT SERIES REAR ACCESSORIES:

- REAR ACCESSORIES IN ACCORDANCE WITH BAN 7025 SPECIFICATION.
- J-TECH SPECIAL APPLICATION REAR ACCESSORIES.
- AVAILABLE AS A JT CONNECTOR ASSEMBLY OR AN INDIVIDUAL ITEM.
- SEE PAGE 17 FOR CONNECTOR ASSEMBLY ORDERING. SEE BELOW FOR ORDERING AN INDIVIDUAL REAR ACCESSORY.

HOW TO ORDER BAN 7025 SERIES ACCESSORIES (INDIVIDUAL):



HOW TO ORDER J-TECH BACKSHELLS (INDIVIDUAL):



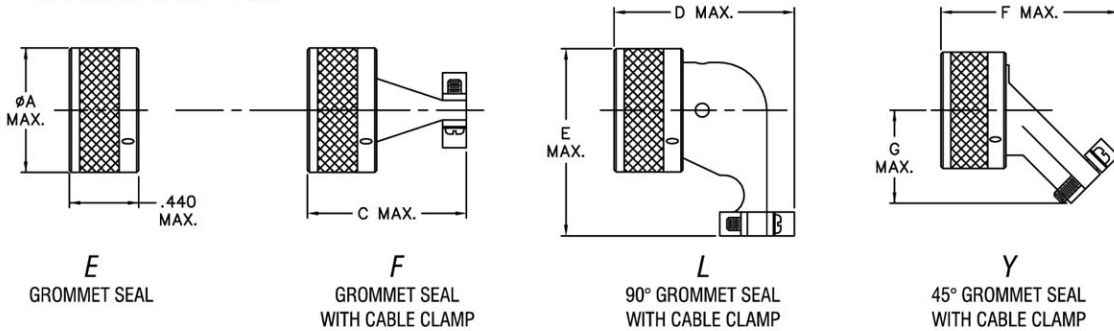


SHELL SIZE	A MAX.	C MAX.	D MAX.	E MAX.	F MAX.	G MAX.	CABLE ENTRY *
8	.627	.952	1.059	1.139	1.490	.772	.088
10	.744	1.062	1.153	1.247	1.534	.803	.147
12	.868	1.187	1.288	1.379	1.608	.866	.251
14	.994	1.187	1.378	1.502	1.650	.928	.311
16	1.122	1.312	1.513	1.626	1.756	.991	.450
18	1.228	1.562	1.612	1.847	1.874	1.110	.478
20	1.355	1.687	1.745	1.974	1.918	1.172	.541
22	1.478	1.812	1.868	2.097	1.962	1.235	.595
24	1.603	1.875	1.990	2.222	2.006	1.297	.660

* CABLE ENTRY DIMENSION IS WHEN CLAMP IS CLOSED.

JT40 SERIES REAR ACCESSORIES:

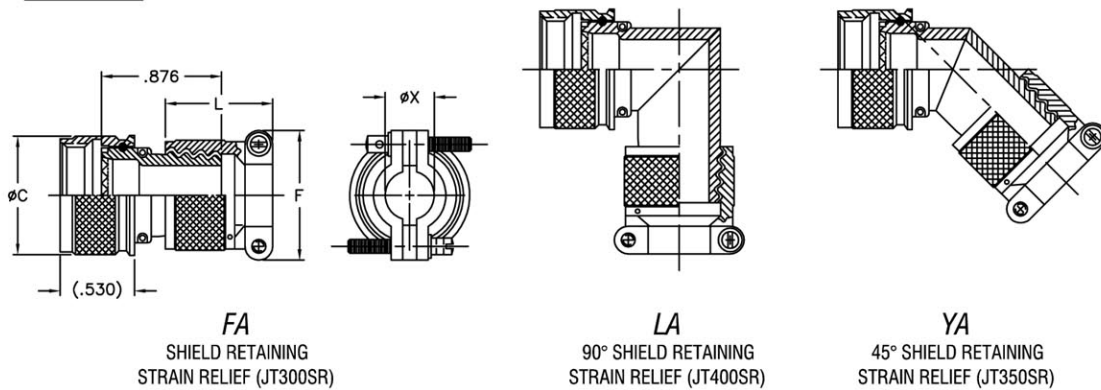
- NON-ENVIRONMENTAL GROMMET SEAL
- JT SERIES BACKSHELL DESIGNATORS E, F, Y, L
- COMPLY WITH BAN 7025 SPECIFICATION
- SEE PAGE 17 FOR CONNECTOR ASSEMBLY ORDERING



SHELL SIZE	ØC MAX.	CLAMP SIZE	L	F	ØX
			MAX.	MAX.	REF.
8	.715	10	.868	.812	.250
10	.788	12	.868	.968	.312
12	.913	14	1.003	1.026	.437
14	1.052	16	1.003	1.250	.500
16	1.177	18	1.003	1.437	.625
18	1.250	20	1.003	1.537	.750
20	1.439	22	1.003	1.633	.875
22	1.554	24	1.003	1.755	1.000
24	1.689				

SR SERIES REAR ACCESSORIES

- NON-ENVIRONMENTAL, FIELD REPAIRABLE SHIELD TERMINATION
- JT SERIES BACKSHELL DESIGNATORS FA, LA, YA
- OVERALL OR SINGLE SHIELD RETAINING
- SEE PAGE 17 FOR CONNECTOR ASSEMBLY ORDERING
- CONSULT FACTORY FOR 45° AND 90° DIMENSIONAL CONFIGURATIONS



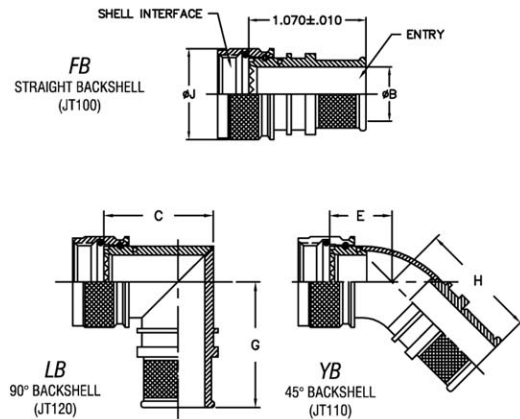


SHELL SIZE	ENTRY SIZE	A FLATS	ØB ±.005	C ±.050	D ±.050	E ±.050	F ±.050	G ±.050	H ±.050
08	04	.687	.255	.755	1.380	.652	1.298	1.127	1.045
08	05	.687	.318	.818	1.380	.652	1.298	1.127	1.045
08	06	.687	.380	.880	1.380	.560	1.210	1.127	1.045
08	07	.687	.443	.943	1.380	.719	1.365	1.127	1.045
10	04	.812	.255	.755	1.445	.560	1.210	1.192	.957
10	05	.812	.318	.818	1.445	.560	1.210	1.192	.957
10	06	.812	.380	.880	1.445	.560	1.210	1.192	.957
10	07	.812	.443	.943	1.445	.560	1.210	1.192	.957
12	04	.937	.255	.755	1.510	.612	1.259	1.257	1.006
12	05	.937	.318	.818	1.510	.612	1.259	1.257	1.006
12	06	.937	.380	.880	1.510	.612	1.259	1.257	1.006
12	07	.937	.443	.943	1.510	.612	1.259	1.257	1.006
12	08	.937	.505	1.005	1.510	.612	1.259	1.257	1.006
14	06	1.062	.380	.880	1.583	.665	1.311	1.330	1.058
14	07	1.062	.443	.943	1.583	.665	1.311	1.330	1.058
14	08	1.062	.505	1.005	1.583	.665	1.311	1.330	1.058
14	10	1.062	.630	1.130	1.583	.665	1.311	1.330	1.058
16	08	1.188	.505	1.005	1.655	.716	1.362	1.402	1.109
16	10	1.188	.630	1.130	1.655	.716	1.362	1.402	1.109
16	12	1.188	.755	1.255	1.655	.716	1.362	1.402	1.109
18	07	1.312	.443	.943	1.718	.768	1.414	1.465	1.161
18	08	1.312	.505	1.005	1.718	.768	1.414	1.465	1.161
18	10	1.312	.630	1.130	1.718	.768	1.414	1.465	1.161
18	12	1.312	.755	1.255	1.718	.768	1.414	1.465	1.161
18	14	1.312	.880	1.380	1.718	.768	1.414	1.465	1.161
20	12	1.438	.755	1.255	1.790	.841	1.487	1.537	1.234
20	14	1.438	.880	1.380	1.790	.841	1.487	1.537	1.234
20	16	1.438	1.005	1.505	1.790	.841	1.487	1.537	1.234
22	12	1.562	.755	1.255	1.858	.835	1.570	1.605	1.317
22	14	1.562	.880	1.380	1.858	.835	1.570	1.605	1.317
22	16	1.562	1.005	1.505	1.858	.835	1.570	1.605	1.317
22	18	1.562	1.130	1.630	1.858	.835	1.570	1.605	1.317
24	12	1.687	.755	1.255	1.930	.925	1.570	1.677	1.317
24	14	1.687	.880	1.380	1.930	.925	1.570	1.677	1.317
24	16	1.687	1.005	1.505	1.930	.925	1.570	1.677	1.317
24	18	1.687	1.130	1.630	1.930	.925	1.570	1.677	1.317

DIMENSIONS ARE IN INCHES

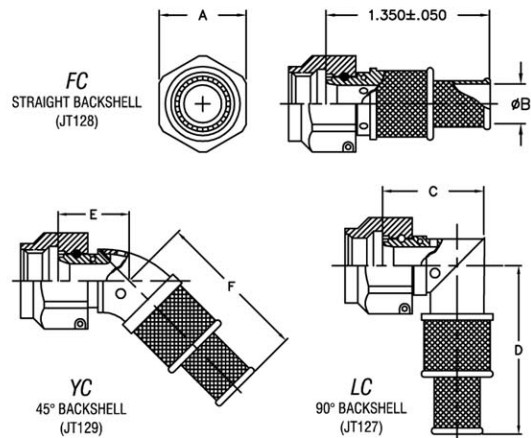
SINGLE BANDING SERIES

- TERMINATE OVERALL SHIELDING
- AVAILABLE IN SHELL SIZES 8 - 24
- ENTRY SIZES 4 (.250) THROUGH 20 (1.250) IN .062" INCREMENTS
- CONSULT FACTORY FOR SIZE COMBINATIONS NOT SHOWN



DOUBLE BANDING SERIES

- TERMINATE STEEL BRAIDING AND OUTER JACKET
- AVAILABLE IN SHELL SIZES 8 - 24
- ENTRY SIZES 4 (.250) THROUGH 20 (1.250) IN .062" INCREMENTS
- CONSULT FACTORY FOR SIZE COMBINATIONS NOT SHOWN
- DRAIN HOLES





INSERT ARRANGEMENTS PER MIL-STD-1554

VIEW SHOWN IS SOCKET FRONT



08-02
2 SIZE 20 CONTACTS
SERVICE RATING: 1



08-03
3 SIZE 20 CONTACTS
SERVICE RATING: 1



08-98
3 SIZE 20 CONTACTS
SERVICE RATING: 1



10-02
2 SIZE 20 CONTACTS
SERVICE RATING: 1



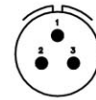
10-05
5 SIZE 20 CONTACTS
SERVICE RATING: 1



10-06
6 SIZE 20 CONTACTS
SERVICE RATING: 1



10-20
2 SIZE 16 CONTACTS
SERVICE RATING: 1



12-03
3 SIZE 16 CONTACTS
SERVICE RATING: 1



12-12
12 SIZE 20 CONTACTS
SERVICE RATING: 1



14-15
15 SIZE 20 CONTACTS
SERVICE RATING: 1



14-04
4 SIZE 12 CONTACTS
SERVICE RATING: 1



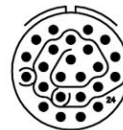
14-07
7 SIZE 16 CONTACTS
SERVICE RATING: 1



14-12
9 SIZE 20 CONTACTS
3 SIZE 16 CONTACTS
SERVICE RATING: 1



16-10
10 SIZE 16 CONTACTS
SERVICE RATING: 1



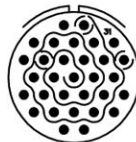
16-24
24 SIZE 20 CONTACTS
SERVICE RATING: 1



18-08
8 SIZE 12 CONTACTS
SERVICE RATING: 1



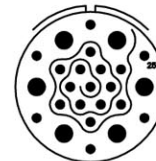
18-14
14 SIZE 16 CONTACTS
SERVICE RATING: 1



18-31
31 SIZE 20 CONTACTS
SERVICE RATING: 1



20-16
16 SIZE 16 CONTACTS
SERVICE RATING: 1



20-25
19 SIZE 20 CONTACTS
6 SIZE 12 CONTACTS
SERVICE RATING: 1

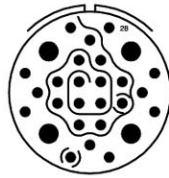


INSERT ARRANGEMENTS PER MIL-STD-1554

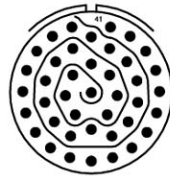
VIEW SHOWN IS SOCKET FRONT



20-39
37 SIZE 20 CONTACTS
2 SIZE 16 CONTACTS
SERVICE RATING: 1



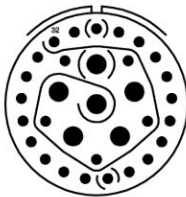
20-28
24 SIZE 20 CONTACTS
4 SIZE 12 CONTACTS
SERVICE RATING: 1



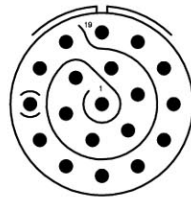
20-41
41 SIZE 20 CONTACTS
SERVICE RATING: 1



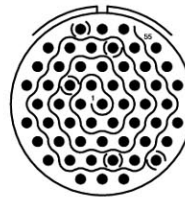
22-12
12 SIZE 12 CONTACTS
SERVICE RATING: 1



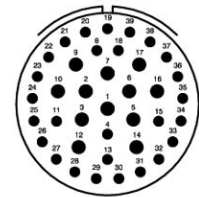
22-32
26 SIZE 20 CONTACTS
6 SIZE 12 CONTACTS
SERVICE RATING: 1



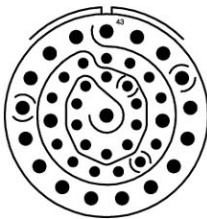
22-19
19 SIZE 16 CONTACTS
SERVICE RATING: 1



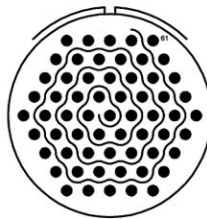
22-55
55 SIZE 20 CONTACTS
SERVICE RATING: 1



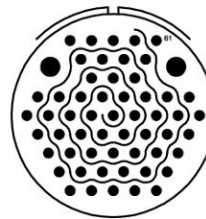
22-39
27 SIZE 20 CONTACTS
12 SIZE 16 CONTACTS
SERVICE RATING: 1



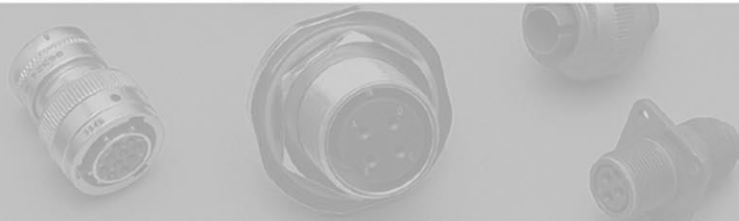
24-43
23 SIZE 20 CONTACTS
20 SIZE 16 CONTACTS
SERVICE RATING: 1



24-61
61 SIZE 20 CONTACTS
SERVICE RATING: 1

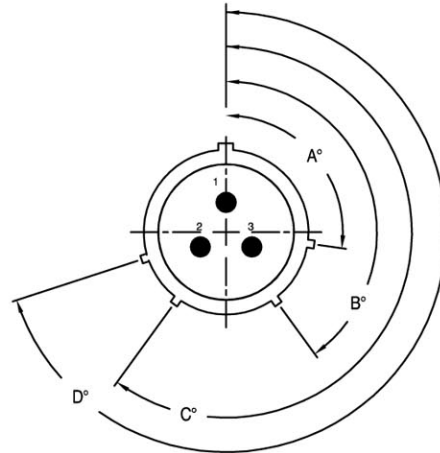


24-57
55 SIZE 20 CONTACTS
2 SIZE 12 CONTACTS
SERVICE RATING: 1

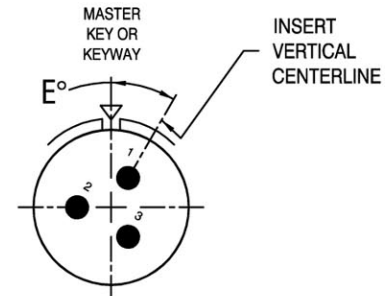


POLARIZING POSITIONS

SHELL SIZE	POSITION	A°	B°	C°	D°	E° INSERT POSITION
8	N	105	140	215	265	0
	6	102	132	248	320	0
	7	80	118	230	312	0
	8	35	140	205	275	0
	9	64	155	234	304	0
10	N	105	140	215	265	0
	1	105	140	215	265	10
	2	105	140	215	265	20
	3	105	140	215	265	30
	4	105	140	215	265	40
	5	105	140	215	265	50
	6	102	132	248	320	0
	7	80	118	230	312	0
	8	35	140	205	275	0
	9	64	155	234	304	0
Y(10)	25	115	220	270	0	
ALL OTHER SIZES THRU 24	N	105	140	215	265	0
	1	105	140	215	265	10
	2	105	140	215	265	20
	3	105	140	215	265	30
	4	105	140	215 <td 265	40	
	5	105	140	215	265	50
	6	18	149	192	259	0
	7	92	152	222	342	0
	8	84	152	204	334	0
	9	24	135	199	240	0
Y(10)	98	152	268	338	0	



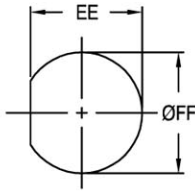
KEYING POSITION
VIEWED ENGAGING END OF PLUG



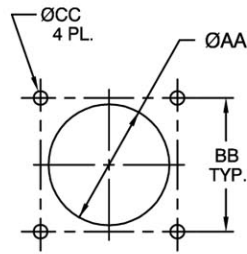
INSERT POSITION
INSERT ROTATED E°.
E° IS THE ROTATION OF THE
INSERT VERTICAL CENTERLINE IN
RELATION TO THE SHELL MASTER
KEY OR KEYWAY.
VIEW SHOWN IS SOCKET FRONT.
SHOWN WITH SAMPLE ARRANGEMENT
FOR CLARITY.



PANEL CUTOUT DIMENSIONS



JT58, JT59
JT83723/84, JT83723/85
(ALL CLASSES)



JT54, JT55
JT83723/82, JT83723/83
(ALL CLASSES)

SHELL SIZE	PANEL THICKNESS	ØAA	BB	ØCC	EE	ØFF
		+ .010 - .005	± .005	+ .005 - .004	± .005	± .005
8	.062 / .125 (1.57 / 3.18)	.572 (14.53)	.594 (15.09)	.120 (3.05)	.605 (15.37)	.635 (16.13)
10	.062 / .125 (1.57 / 3.18)	.698 (17.73)	.719 (18.26)	.120 (3.05)	.730 (18.54)	.760 (19.30)
12	.062 / .125 (1.57 / 3.18)	.885 (22.48)	.812 (20.62)	.120 (3.05)	.917 (23.29)	.947 (24.05)
14	.062 / .125 (1.57 / 3.18)	.948 (24.08)	.906 (23.01)	.120 (3.05)	.980 (24.89)	1.010 (25.65)
16	.062 / .125 (1.57 / 3.18)	1.072 (27.23)	.969 (24.61)	.120 (3.05)	1.105 (28.07)	1.135 (28.83)
18	.062 / .125 (1.57 / 3.18)	1.198 (30.43)	1.062 (26.97)	.120 (3.05)	1.229 (31.22)	1.260 (32.00)
20	.062 / .125 (1.57 / 3.18)	1.322 (33.58)	1.156 (29.36)	.120 (3.05)	1.354 (34.39)	1.385 (35.18)
22	.062 / .125 (1.57 / 3.18)	1.448 (36.78)	1.250 (31.75)	.120 (3.05)	1.479 (37.57)	1.510 (38.35)
24	.062 / .125 (1.57 / 3.18)	1.572 (39.93)	1.375 (34.93)	.149 (3.78)	1.604 (40.74)	1.635 (41.53)

DIMENSIONS ARE IN INCHES (DIMENSIONS IN PARENTHESIS ARE IN MILLIMETER)