

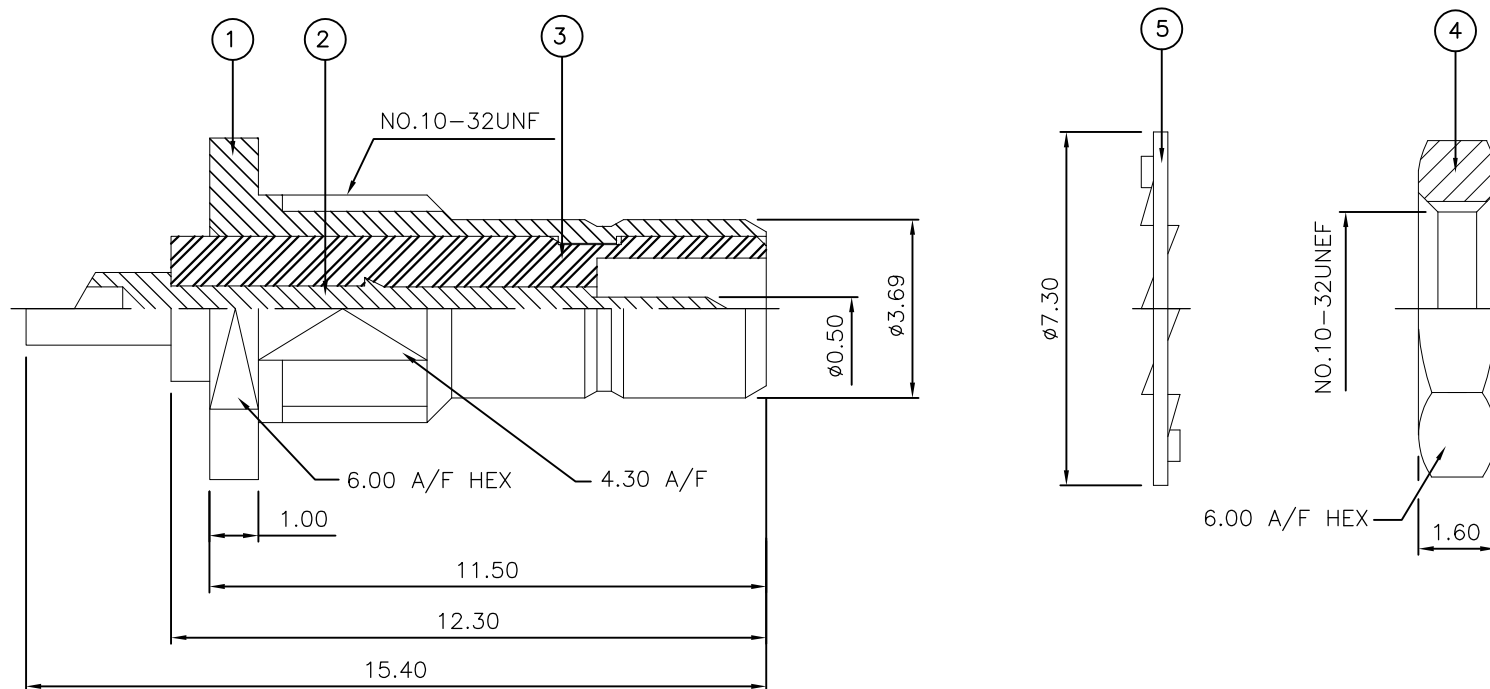
THIS DRAWING IS UNPUBLISHED. RELEASED FOR PUBLICATION JAN , 2006.

© COPYRIGHT 2006 By - ALL RIGHTS RESERVED.

LOC	DIST	REVISIONS					
E	B	P	LTR	DESCRIPTION	DATE	DWN	APVD
			C1	REVISED PER ECO-11-005033	01APR11	RK	HMR

NOTES:

- ① PACK IN ACCORDANCE WITH AMP SPEC 107-3275
- ② 100 TRAY PACK IN ACCORDANCE WITH AMP SPEC 107-3275
- ③ Au PLATING
- 4 ELECTRICAL CHARACTERISTICS
 FREQUENCY RANGE: DC - 4 GHz
 NOMINAL IMPEDANCE: 50 Ohm
 INSULATION RESISTANCE: 1000 MOhm
 WORKING VOLTAGE: 250 Volts RMS at Sea Level
 DIELECTRIC WITHSTAND VOLTAGE: 750 Volts RMS Max
 CONTACT RESISTANCE:
 CENTRE CONTACT: 6.00 mOhm Max
 OUTER CONTACT: 1.00 mOhm Max
- 5 MECHANICAL CHARACTERISTICS
 MOUNT NUT RECOMMENDED TORQUE: 0.75N
 DURABILITY: 500 Cycles Min
- 6 ENVIRONMENTAL CHARACTERISTICS
 OPERATING TEMPERATURE: -65 to +165 DegC



QTY	UNIT	MATERIAL	DESCRIPTION	ITEM
1	1	BRASS	LOCKWASHER	5
1	1	BRASS	HEX NUT	4
1	1	PTFE	INSULATION	3
1	1	BRASS	CONTACT	2
1	1	BRASS	BODY	1
6--0	1--0	MATERIAL	DESCRIPTION	ITEM
②	①			

THIS DRAWING IS A CONTROLLED DOCUMENT.		DWN J.SANDWELL 12JAN06	STE TE Connectivity		
DIMENSIONS: mm		CHK S.PARLOW 12JAN06			
TOLERANCES UNLESS OTHERWISE SPECIFIED:		APVD F.WHEELER-KING 12JAN06	NAME SMB BULKHEAD SOCKET REAR MOUNT 50 OHM		
0 PLC ± - 1 PLC ± - 2 PLC ± - 3 PLC ± - 4 PLC ± - ANGLES ± -		PRODUCT SPEC -	APPLICATION SPEC -		
MATERIAL SEE TABLE		FINISH -	SIZE A3	CAGE CODE 00779	DRAWING NO C-1337479
CUSTOMER DRAWING			WEIGHT -	RESTRICTED TO -	SCALE NTS
			SHEET 1 OF 1	REV C1	